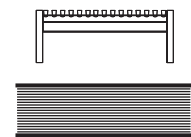




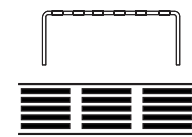
# Threshold drain - Bi-fold Top Hung Door

## Order Form

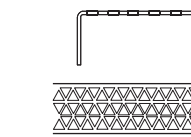
Grates



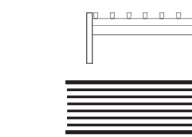
Architectural (AR)



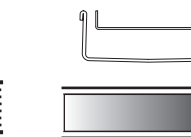
Punched Slot (PS)



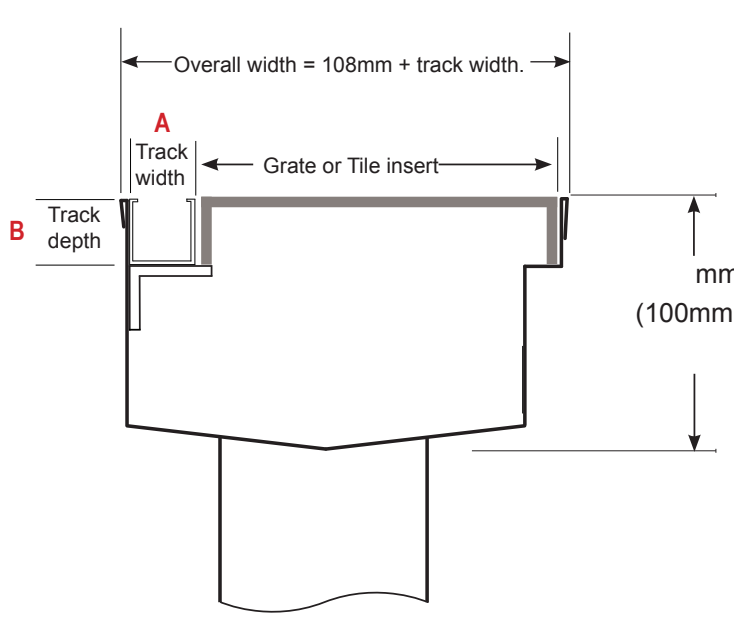
Marc Newson (MND)



Standard grate (TR)



Ti  
Tile Insert



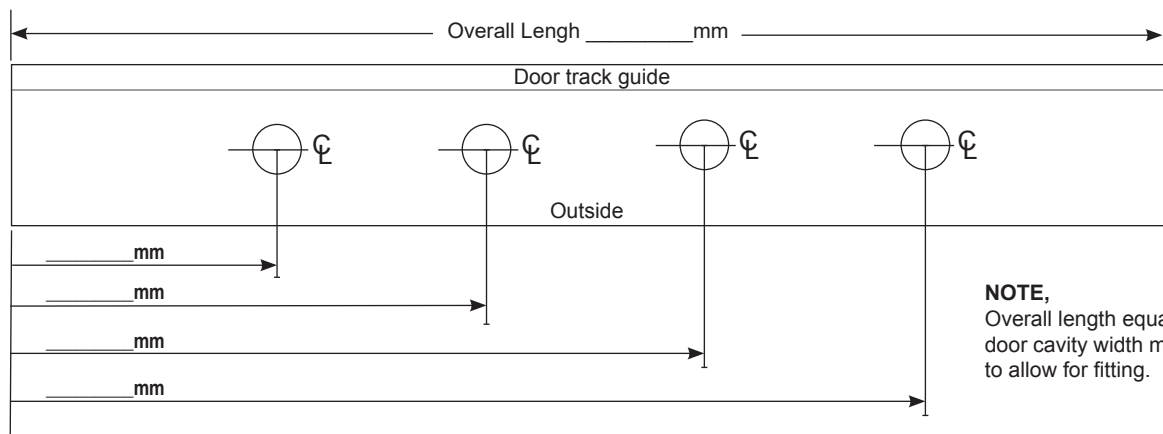
Outlet size

<input type="checkbox"/> 32mm	<input type="checkbox"/> 44mm	<input type="checkbox"/> 63mm
<input type="checkbox"/> 38mm	<input type="checkbox"/> 51mm	<input type="checkbox"/> 76mm
<input type="checkbox"/> 89mm		

mm (100mm max)

A Track width \_ \_ mm  
B Track depth \_ \_ mm

Common guide-track information	
Width x depth	Min channel depth
20 x 22mm	50mm
25 x 25mm	60mm
32 x 32mm	75mm



Overall Length \_\_\_\_\_ mm

Door track guide

Outside

mm

mm

mm

mm

**NOTE,**  
Overall length equals door cavity width minus 4mm to allow for fitting.

Name <input style="width: 95%;" type="text"/>	Email <input style="width: 95%;" type="text"/>
Customer name/job <input style="width: 95%;" type="text"/>	Branch <input style="width: 40%;" type="text"/> S/tech quote # <input style="width: 40%;" type="text"/>
Order number <input style="width: 95%;" type="text"/>	Signature & date <input style="width: 95%;" type="text"/>

Fax to 02 44235552 or email to [info@stormtech.com.au](mailto:info@stormtech.com.au)

