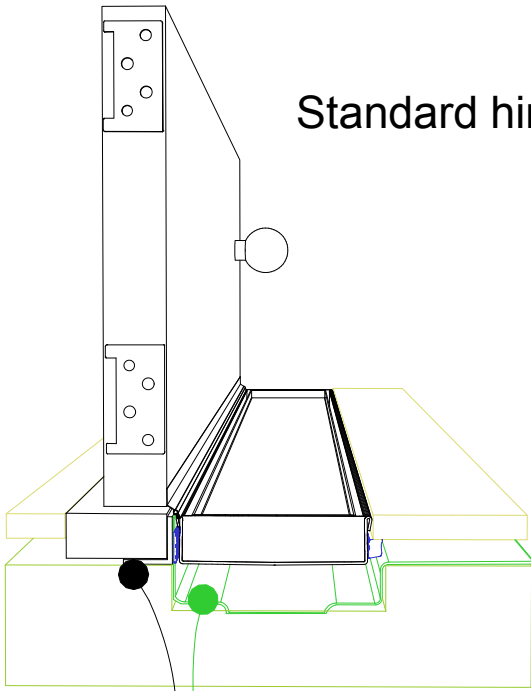


100Tii Threshold installation suggestion

For 100Tii20CO, 100Tii20MTL, 100Tii30MTL, 100TiiCo30, 100TRTii25MTL, 100TRTiiCO25, 100Tii40MTL.



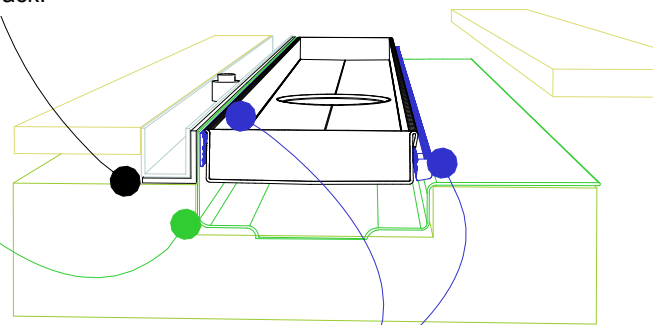
Standard hinged door



Aluminium angle to support waterproofing and junction between channel and door sil.

Top hung slider

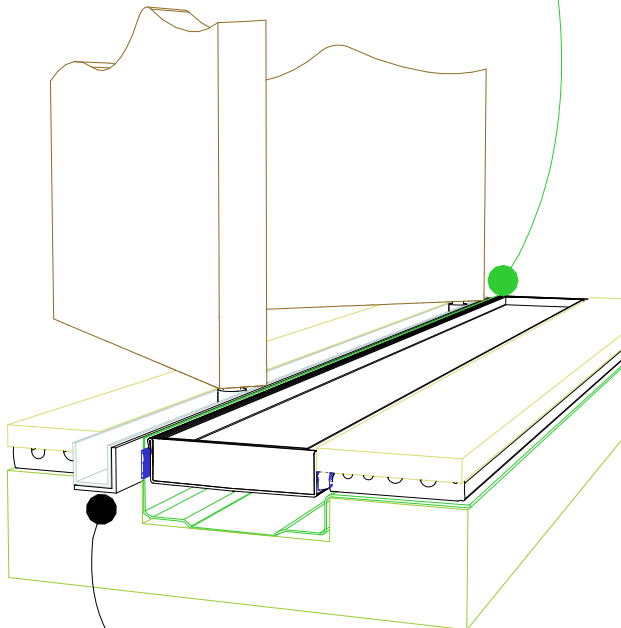
Aluminium angle to support waterproofing and junction between channel and door track.



Waterproofing

For all types of threshold installation ensure both sides of the channel are sealed before laying tile.

Bi-fold door



Aluminium angle to support waterproofing and junction between channel and door track.

NOTE, ensure weather strip is used on the appropriate side of the door to ensure drafts and moisture are minimised.

NOTE, ALWAYS ensure the waterproofing is completed before laying the Stormtech.

