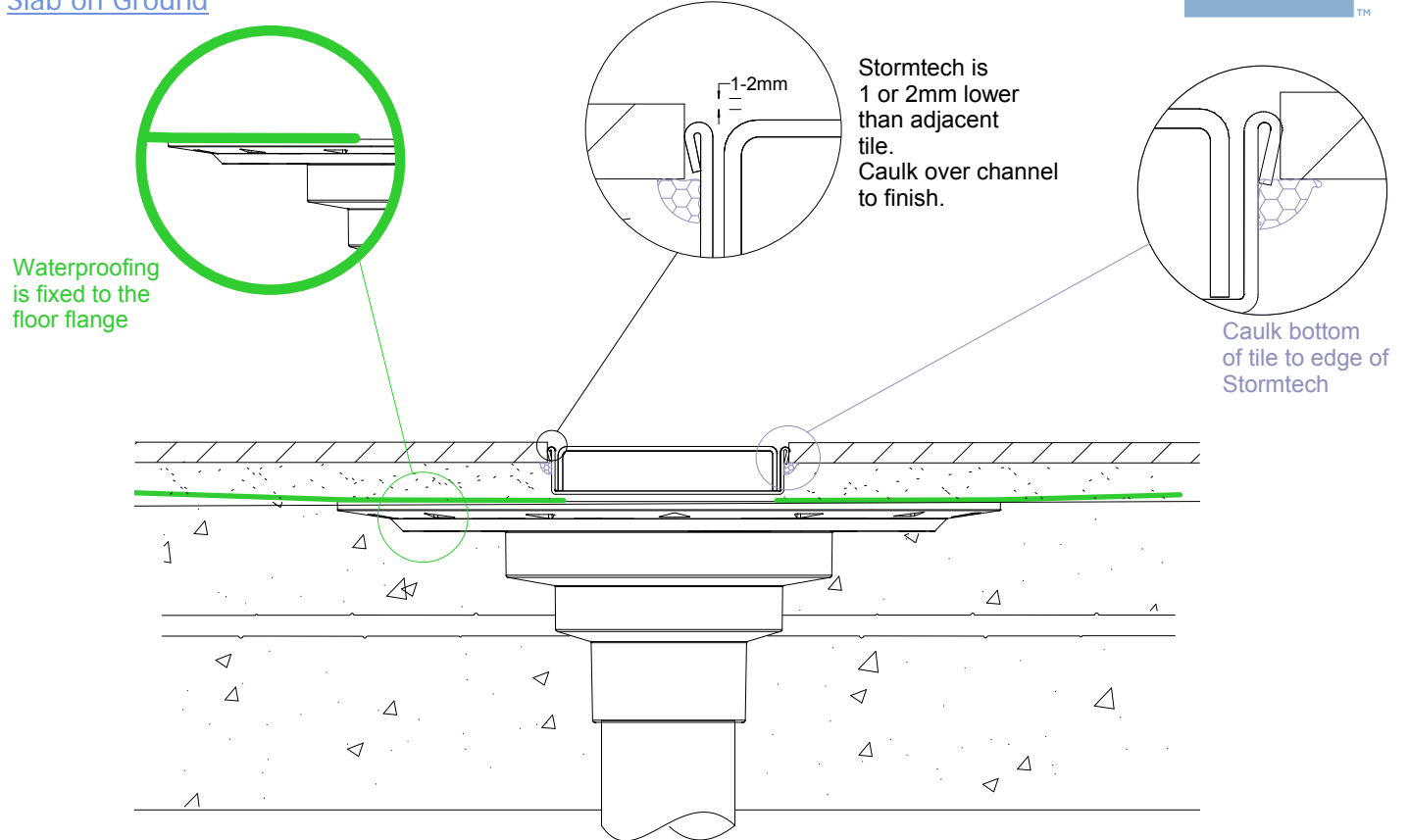


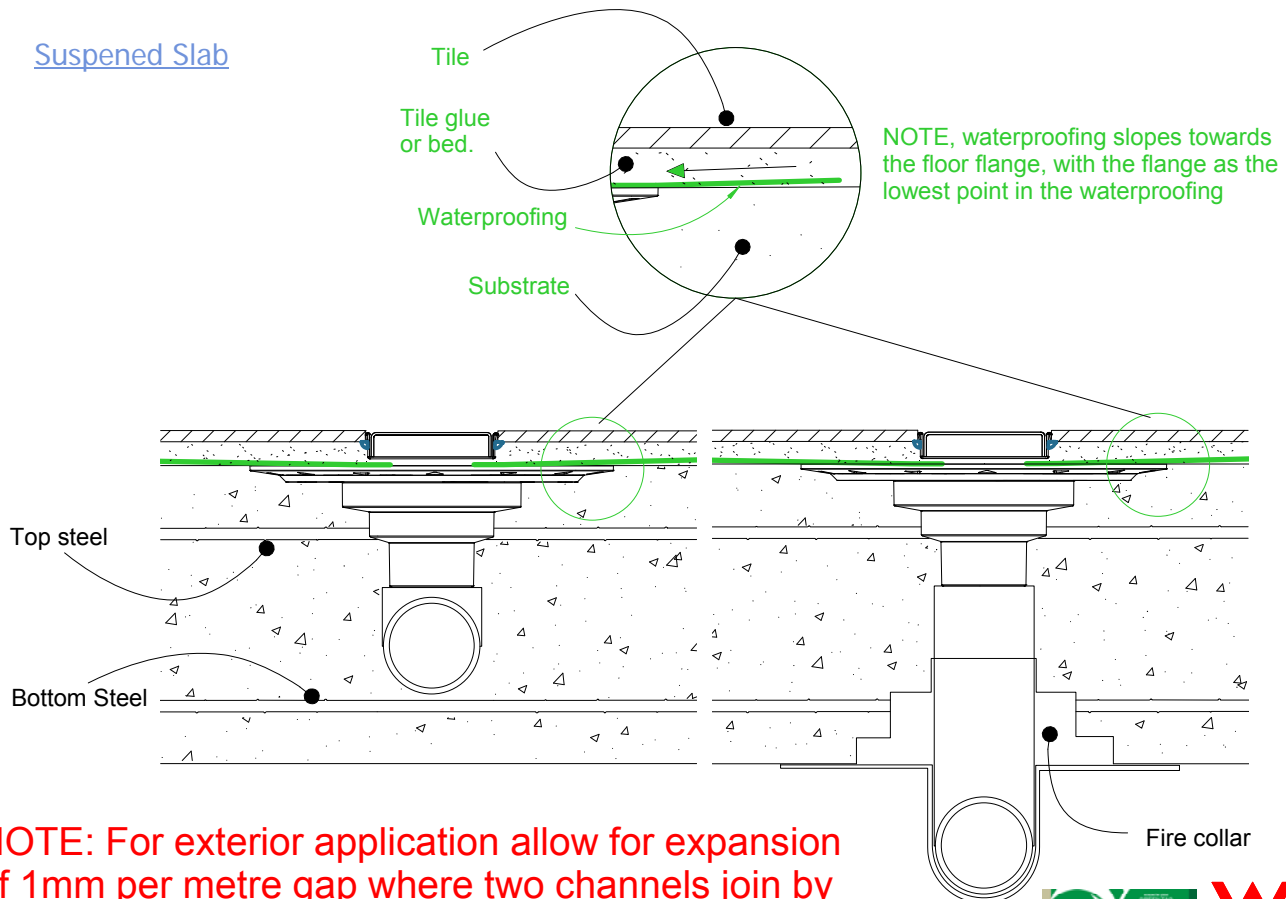
# 100i20 MTL & CO Concrete Floor or Deck

For 100ARi20MTL, 100ARiCO20, 100MNDi20MTL, 100MNDiCO20, 100PSi20MTL, 100PSi20CO, 100TRi20MTL, 100TRiCO20.

Slab on Ground



Suspended Slab



**NOTE: For exterior application allow for expansion of 1mm per metre gap where two channels join by using quality suitable flexible sealant on channel joiners.**

